

Available Late Q3

PRELIMINARY

JUR248RWE, JUR248RBC –
Right-Hand Door Swing

JUR248LWE, JUR248LBC –
Left-Hand Door Swing

JENN-AIR® 24" UNDER COUNTER REFRIGERATORS



KEY FEATURES

5.7 cu. ft. capacity provides ample storage space that's separate from the primary refrigerator, allowing consumers to keep appetizers or beverages close at hand.

Adjustable temperature control allows consumers to adjust internal temperatures without opening the door and letting cold air out.

Automatic defrost prevents frost build-up, keeping food fresh and saving energy.

SPECIFICATIONS

- 5.7 Cu. Ft. Capacity
- Adjustable Temperature Control
- Automatic Defrost
- 2 Adjustable Glass Shelves
- Spill-Proof, Fixed Glass Shelf
- 2 Door Bins
- Automatic Interior Light
- 4 Adjustable Levelers
- Built-In or Freestanding Installation

DESIGN OPTIONS

Euro-Style Stainless design includes crisp, stainless steel handle – JUR248RWES, JUR248LWES

Black design includes crisp, black handle – JUR248RWEB, JUR248LWEB

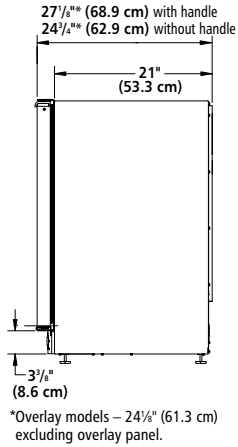
Overlay design requires custom panel and handle, not included – JUR248RBCX, JUR248LBCX

 JENN-AIR.
FOR THE LOVE OF COOKING.

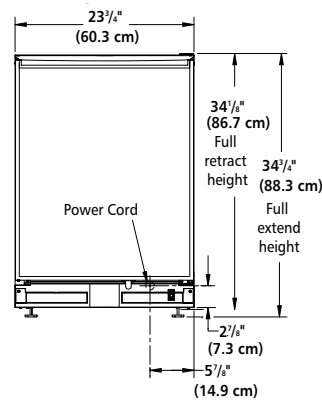
IMPORTANT: Dimensional specifications are provided for planning purposes only. **Do not make any cutouts based on this information.** Refer to installation instructions packaged with product *before* selecting cabinetry, making cutouts or beginning installation. All Jenn-Air® appliances are appropriately UL, CUL or CSA approved.

PRODUCT DIMENSIONS

Side View

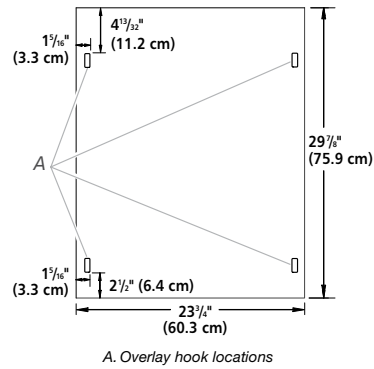


Back View

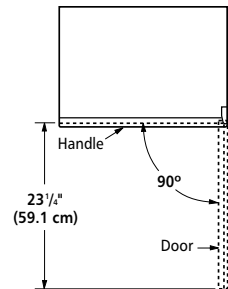


CUSTOM PANEL DIMENSIONS

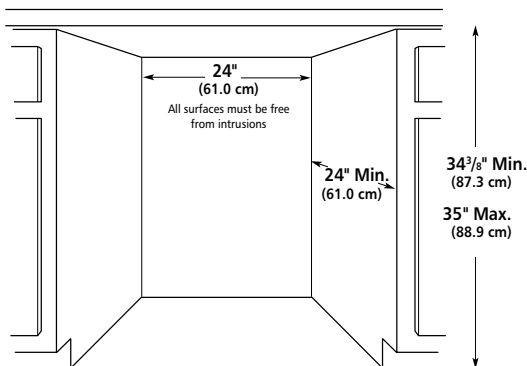
Custom Panel



Top View



CUTOUT DIMENSIONS



Notes:

1. If refrigerator is to be built-in, ensure proper ventilation by allowing for 1/4" (0.6 cm) space on each side and at the top. When installing refrigerator next to a fixed wall and the hinge side is next to the wall, leave 2 1/2" (6.4 cm) minimum to allow for the door to swing open. To open door wider, leave more space.
2. Do not install the refrigerator near an oven, radiator or other heat source, nor in a location where the temperature will fall below 55°F (13°C).